

AGRIOLA s.r.o.

Sale and service of agricultural machinery

Price list 3/2022

AGRO ACCESSORY

Valid from 1.3.2022



AGRIOLA s.r.o., Polešovice 236, pošta Polešovice, 687 37, DIČ: CZ29306833 IČ: 29306833
Tel. +420 725 447 667, +420 606 237 020 Email: agriola@agriola.cz
www.agriola.cz

Product name: **Agro fork with holders** designed for front wheel loaders and telescopic manipulators

Recommended carrier weight: telescopic manipulators up to 2.5 t, tractor front loaders

TYP	STANDARD	WIDTHmm	HEIGHT mm	VOLUME m ³	PRICE €
VP-L	0,3 – 0,5	1600 - 1900	850	0,3 – 0,5	3.630
VP-L	0,6 – 0,8	2000 - 2250	850	0,6 – 0,8	3.830
VP-L	0,9 – 1,3	2300 - 2500	850	0,9 – 1,3	3.910

TYP	Curved spikes	WIDTH mm	HEIGHT mm	VOLUME m ³	PRICE /€
VP-L	0,3 – 0,5	1600 - 1900	850	0,3 – 0,5	3.800
VP-L	0,6 – 0,8	2000 - 2250	850	0,6 – 0,8	3.910
VP-L	0,9 – 1,3	2300 - 2500	850	0,9 – 1,3	3.990

Extended spikes 1000 mm +9,10 € - 1 pcs

Extended spikes 1200 mm + 10,20 € - 1 pcs



Product name: **Agro fork with holders** designed for front wheel loaders and telescopic manipulators

Stronger version

Recommended carrier weight: telescopic manipulators from 2.6 t, compact front loader up to 8 t

TYPE – STANDARD	WIDTH in mm	HEIGHT in mm n	VOLUME in m ³	PRICE in €
VP-XL 0,8 – 1,0	1600 - 1900	1100	0,8 – 1,0	4.350
VP-XL 1,1 – 1,4	2000 - 2250	1100	1,1 – 1,5	4.665
VP-XL 1,6 – 2,0	2300 - 2500	1100	1,6 – 2,0	4.860

TYPE – Curved spikes	WIDTH in mm	HEIGHT in mm	VOLUME in m ³	PRICE in €
VP-XL 0,8 – 1,0	1600 - 1900	1100	0,8 – 1,0	4.540
VP-XL 1,1 – 1,4	2000 - 2250	1100	1,1 – 1,5	4.740
VP-XL 1,6 – 2,0	2300 - 2500	1100	1,6 – 2,0	4.940

Extended spikes 1000 mm + 10,60 € - 1 pc

Extended tips 1200 mm + 13,10 € - 1 pc

Recommended carrier weight: telehandlers from 5.0 t load capacity, front loaders from 7 – 10 t

TYPE – STANDARD	WIDTH in mm	HEIGHT in mm	VOLUME in m ³	PRICE in €
VP-XXL 2,0 – 2,3	2000 - 2300	1450	2,0 – 2,3	5.215
VP-XXL 2,4 – 2,9	2350 - 2500	1450	2,4 – 2,8	5.490
VP-XXL 3,0 – 3,6	2550 - 3000	1450	2,9 – 3,6	5.650

Extended spikes 1000 mm + 10,60 € - 1 pc

Extended spikes 1200 mm + 13,10 € - 1 pc

Prices include quick-release hinges, **incl. hydraulic protective valve** and standard total length of lower spikes 810 mm.

Standard variant



Curved spikes variant



Product Name: **Agro fork with holders** designed for front wheel loaders

Recommended carrier weight : front articulated loaders weighing from approx. 12 - 18 t

TYPE – STANDARD	WIDTH in mm	HEIGHT in mm	VOLUME in m ³	PRICE in €
VP-WL 2,9 – 3,2	2500 - 2700	1550	2,9 – 3,2	8.100
VP-WL 3,3 – 3,5	2750 - 2950	1550	3,3 – 3,5	8.300
VP-WL 3,6 – 3,8	3000 - 3200	1550	3,6 – 3,8	8.515

TYPE – Curved spikes	WIDTH in mm	HEIGHT in mm	VOLUME in m ³	PRICE in €
VP-WL 2,9 – 3,2	2500 - 2700	1550	2,9 – 3,2	8.180
VP-WL 3,3 – 3,5	2750 - 2950	1550	3,3 – 3,5	8.460
VP-WL 3,6 – 3,8	3000 - 3200	1550	3,6 – 3,8	8.650

Extended spikes 1200 mm + 23,00 € - 1 pc

Elongated spikes 1400 mm + 37,20 € - 1 pc

Prices include quick-release hinges, **incl. hydraulic protective valve** and standard total length of lower spikes 1000 mm.

Standard variant



Curved spikes variant



Product name: **Bucket with holder PELIKAN** designed for front wheel loaders and telehandlers

Recommended carrier: telescopic manipulators, load capacity up to 2.5 t, front articulated loader – weight approx. 4.5 t, tractor loaders.

Type – STANDARD	WIDTH in mm	HEIGHT in mm	VOLUME in m ³	PRICE in €
LP-L 0,3 – 0,5	1600 - 1900	850	0,3 – 0,5	3.715
LP-L 0,6 – 0,8	2000 - 2250	850	0,6 – 0,8	3.815
LP-L 0,9 – 1,3	2300 - 2500	850	0,9 – 1,3	3.870

TYPE – Curved spikes	WIDTH in mm	HEIGHT in mm	VOLUME in m ³	PRICE in €
LP-L 0,3 – 0,5	1600 - 1900	850	0,3 – 0,5	3.795
LP-L 0,6 – 0,8	2000 - 2250	850	0,6 – 0,8	3.870
LP-L 0,9 – 1,3	2300 - 2500	850	0,9 – 1,3	3.910

The price includes quick-release hinges, basic welded edge HB400, incl. hydraulic protective valve.

Another screwed cutting edge with double-sided bevel 280 €
Another undercooked cutting edge with one-sided bevel 200 €

Standard variant



Curved spike variant



Product Name: **Bucket with holder PELIKAN** designed for front wheel loaders and telehandlers

REINFORCED VERSION

Recommended carrier: telescopic manipulators load capacity from 2.5 t, front articulated loader-compact up to 7 t

TYPE – STANDARD	WIDTH in mm	HEIGHT in mm	VOLUME in m ³	PRICE in €
LP-XL 0,8 – 1,0	1600 - 1900	1100	0,8 – 1,0	4.270
LP-XL 1,1 – 1,4	2000 - 2250	1100	1,1 – 1,5	4.350
LP-XL 1,6 – 2,0	2300 - 2500	1100	1,6 – 2,0	4.425

TYPE – Curved spikes	WIDTH in mm	HEIGHT in mm	VOLUME in m ³	PRICE in €
LP-XL 0,8 – 1,0	1600 - 1900	1100	0,8 – 1,0	4.350
LP-XL 1,1 – 1,4	2000 - 2250	1100	1,1 – 1,5	4.425
LP-XL 1,6 – 2,0	2300 - 2500	1100	1,6 – 2,0	4.505

The price includes quick-release hinges, basic welded edge HB400, incl. hydraulic protective valve.

Another screwed cutting edge with double-sided bevel 320 €
Another undercooked cutting edge with one-sided bevel 240 €

Standard variant



Curved spike variant



Product Name: **Bucket with holder PELIKAN**

Recommended carrier weight: telehandlers load capacity from 5 tons, front loader from 7 – 10 t

TYPE – STANDARD	WIDTH in mm	HEIGHT in mm	VOLUME in m ³	PRICE in €
LP-XXL 2,0 – 2,3	2000 - 2300	1450	2,0 – 2,3	5.335
LP-XXL 2,4 – 2,9	2350 - 2500	1450	2,4 – 2,8	6.125
LP-XXL 3,0 – 3,6	2550 - 3000	1450	2,9 – 3,6	6.915

The price includes quick-release hinges, basic welded edge HB400, incl. hydraulic protective valve.

Another screwed cutting edge with double-sided bevel 475 €
Another undercooked cutting edge with one-sided bevel 280 €



Product Name: **Bucket with holder PELIKAN** designed for front wheel loaders

Recommended carrier weight: telehandlers load capacity from 5 tons, front loader from 12 – 18 tons

TYPE – STANDARD	WIDTH in mm	HEIGHT in mm	VOLUME in m ³	PRICE in €
LP-WL 2,9 – 3,2	2500 - 2700	1650	2,9 – 3,2	8.100
LP-WL 3,3 – 3,5	2750 - 2950	1650	3,3 – 3,5	8.300
LP-WL 3,6 – 3,8	3000 - 3200	1650	3,6 – 3,8	8.500

TYPE – Curved spikes	WIDTH in mm	HEIGHT in mm	VOLUME in m ³	PRICE in €
VP-WL 2,9 – 3,2	2500 - 2700	1550	2,9 – 3,2	8.220
VP-WL 3,3 – 3,5	2750 - 2950	1550	3,3 – 3,5	8.420
VP-WL 3,6 – 3,8	3000 - 3200	1550	3,6 – 3,8	8.700

The price includes quick-release hinges, basic welded edge HB400, **incl. hydraulic protective valve.**

Another screwed cutting edge with double-sided bevel 560 €
Another undercooked cutting edge with one-sided bevel 320 €

Standard variant



Curved spikes variant



AGRIOLA s.r.o.

Sale and service of agricultural machinery

Product Name: **Bucket with sorting holder PELIKAN "T"** **For front loaders and telehandlers**

Recommended carrier weight : telescopic manipulators, front loader - compact up to 8 t

Type	WIDTH in mm	HEIGHT in mm	VOLUME in m ³	PRICE in €
LP TII. 1,5 – 1,8	2000 - 2300	1200	1,5 – 1,8	5.250
LP TII. 1,9 – 2,2	2350 - 2500	1200	1,9 – 2,2	5.415
LP TII. 2,3 – 2,5	2550 - 2800	1200	2,3 – 2,5	5.700

Recommended carrier weight : front loader from 15 to 20 t

Type	WIDTH in mm	HEIGHT in mm	VOLUME in m ³	PRICE in €
LP T III. 2,3 – 2,6	2500 - 2700	1600	2,3 – 2,6	9.210
LP T III. 2,6 – 3,0	2750 - 2950	1600	2,6 – 3,5	9.760
LP T III. 3,0 – 4,0	3000 - 3200	1600	2,7 – 4,0	10.200

Prices are with quick-release hinges and **including hydraulic protective valve.**



Product name: **Grate shovel with holder PELIKAN "HD"** **For front loaders and telehandlers**

Recommended carrier weight : telescopic manipulators, front loader - compact up to 8 t

Type	WIDTH in mm	HEIGHT in mm	VOLUME in m ³	PRICE in €
LPRII. 2,0 – 2,3	2000 - 2300	1450	2,0 – 2,3	5.650
LPRII. 2,4 – 2,9	2350 - 2500	1450	2,4 – 2,8	6.320
LPRII. 3,0 – 3,6	2550 - 3000	1450	2,9 – 3,6	6.880

Recommended carrier weight : front loader from 8 to 20 t

Type	WIDTH in mm	HEIGHT in mm	VOLUME in m ³	PRICE in €
LPRIII. 2,3 – 2,6	2200 - 2600	1600	2,3 – 2,6	8.340
LPRIII. 2,6 – 3,0	2600 - 2800	1600	2,6 – 3,5	9.490
LPRIII. 3,0 – 4,0	2900 - 3300	1600	2,7 – 4,0	10.870

Prices are with quick-release hinges and **included hydraulic protective valve.**



Product Name: **Wagon Bucket (4 in 1)**

For front loaders and telehandlers

Recommended carrier weight: telehandlers (load capacity up to 2.5 t), front loader - weight up to 5 t

Type		WIDTH in mm	HEIGHT in mm	VOLUME in m ³	PRICE in €
KL-L	0,6 – 0,8	1700 - 1900	950	0,6 – 0,9	3.635
KL-L	0,9 – 1,1	2000 - 2300	950	0,9 – 1,1	3.910

Another screwed cutting edge with double-sided bevel 280 €

Another undercooked cutting edge with one-sided bevel 200 €

Recommended carrier weight : telescopic manipulators (load capacity up to 4.5 t), backhoe loaders, front loader - weight up to 8 t

Type		WIDTH in mm	HEIGHT in mm	VOLUME in m ³	PRICE in €
KL-XL	0,9 – 1,1	2000 - 2200	1100	0,9 – 1,1	4.230
KL-XL	1,2 – 1,4	2250 - 2500	1100	1,2 – 1,4	4.370
KL-XL	1,5 – 1,8	2550 - 2700	1100	1,5 – 1,8	4.505

Another screwed cutting edge with double-sided bevel 395 €

Another undercooked cutting edge with one-sided bevel 280 €

Recommended carrier weight : front loader - weight up to 14 t

Type		WIDTH in mm	HEIGHT in mm	VOLUME m ³	PRICE in CZK/€
KL-XXL	2.2 – 2.4	2500 - 2700	1350	2,2 – 2,4	190.000,-/7.510
KL-XXL	2.5 – 2.8	2750 - 2900	1350	2,5 – 2,8	206.000,-/8.140
KL-XXL	2.9 – 3.1	3000 - 3100	1350	2,9 – 3,1	212.000,-/8.380

Another screwed cutting edge with double-sided bevel 560 €

Another undercooked cutting edge with one-sided bevel 355 €

Prices are with Hardox HB400 basic blade, quick-release hinges, incl. hydraulic supply hoses with quick couplings according to type.



AGRIOLA s.r.o.

Sale and service of agricultural machinery

Product Name: **Bucket STANDARD - heavy operation**
for telehandlers, front wheel loaders up to 8 tons weight

TYPE – bucket marking	WIDTH in mm	VOLUME in m ³	PRICE in €
LSM 0,5 – 0,7	1500 - 1800	0,5 – 0,7	1.940
LSM 0,8 – 1,0	1800 - 2350	0,8 – 1,0	2.350
LSM 1,1 – 1,3	2000 - 2450	1,1 – 1,3	2.730
LSM 1,4 – 1,6	2000 - 2500	1,4 – 1,6	2.965
LSM 1,5 – 2,0	2000 - 2600	1,5 – 2,0	3.360

Volume over 2.5 m3 can be communicated on request.

**The price is understood with quick-release hinges, basic welded edge HB400.
Hinges directly for pins + 1.100 €**

Additional equipment of the cutting edge – double-sided bevel:

- + blade HB500 (150 x 20 mm) 280 €**
- + blade HB500 (200 x 20 mm) 320 €**
- + blade HB500 (250 x 25 mm) 555 €**
- + blade HB500 (300 x 30 mm) 710 €**
- + blade HB500 (350 x 40 mm) 790 €**

- + screw hardox.feet 160 €**



AGRIOLA s.r.o., Polešovice 236, pošta Polešovice, 687 37, DIČ: CZ29306833 IČ: 29306833
Tel. +420 725 447 667, +420 606 237 020 Email: agriola@agriola.cz
www.agriola.cz

Product Name: **Shovel for light materials** for front wheel loaders up to 8 tonnes and telehandlers

TYPE – bucket marking	WIDTH in mm	VOLUME in m ³	PRICE in €
LL 0,9 – 1,2	1500 - 2200	0,9 – 1,2	1.930
LL 1,3 – 1,5	1500 - 2200	1,3 – 1,5	2.295
LL 1,6 – 2,0	1500 - 2500	1,6 – 2,0	2.765
LL 2,1 – 2,5	1800 - 2600	2,1 – 2,5	3.080
LL 2,6 – 2,8	2000 - 2600	2,6 – 2,8	3.240
LL 2,9 – 3,2	2450 - 2800	2,9 – 3,2	3.435
LL 3,3 – 3,6	2450 - 2800	3,3 – 3,6	3.910
LL 3,7 – 4,2	2400 - 3000	3,7 – 4,2	4.030
LL 4,3 – 4,8	2500 - 3000	4,3 – 4,9	4.540

The price is understood with quick-release hinges, basic welded edge HB400.
Hinges directly on pins + 1.100 €

Additional equipment of the cutting edge – double-sided bevel:

+ blade HB500 (150 x 20 mm)	280 €
+ blade HB500 (200 x 20 mm)	320 €
+ blade HB500 (250 x 25 mm)	555 €
+ blade HB500 (300 x 30 mm)	710 €
+ blade HB500 (350 x 40 mm)	790 €
+ screw hardox.feet	160 €



AGRIOLA s.r.o.

Sale and service of agricultural machinery

Product Name: **Shovel for light materials**
for front wheel loaders from **10 to 25 tonnes**

TYPE – bucket marking	WIDTH in mm	VOLUME in m ³	PRICE in €
OATH 2,0 – 2,9	2500 - 2700	2,0 – 2,9	4.150
OATH 3,0 – 3,8	2600 - 3000	3,0 – 3,8	4.540
OATH 3,6 – 4,4	2750 - 2900	3,6 – 4,4	4.940
OATH 4,5 – 5,8	2950 - 3100	4,5 – 5,8	5.850
OATH 4,7 – 6,5	3000 - 3250	4,7 – 6,5	6.640
OATH 6,6 – 8,0	3200 - 3400	6,6 – 8,0	7.115

Volume from 8.0 m3 can be provided on request. Production up to 12.0 m3 possible.

**The price is understood with quick-release hinges, basic welded edge HB400.
Hinges directly on pins + 1.110 €**

Additional equipment of the cutting edge – double-sided bevel:

+ blade HB500 (150 x 20 mm)	280 €
+ blade HB500 (200 x 20 mm)	320 €
+ blade HB500 (250 x 25 mm)	555 €
+ blade HB500 (300 x 30 mm)	710 €
+ blade HB500 (350 x 40 mm)	790 €

+ screw hardox.feet **160 €**



AGRIOLA s.r.o., Polešovice 236, pošta Polešovice, 687 37, DIČ: CZ29306833 IČ: 29306833

Tel. +420 725 447 667, +420 606 237 020 Email: agriola@agriola.cz

www.agriola.cz

AGRIOLA s.r.o.

Sale and service of agricultural machinery

Product Name: **HIGH-Tipping shovel**
Designed for front wheel loaders, backhoe loaders

TYPE HARD (location of hydraulic motors in the sides)

TYPE – designation	WIDTH in mm	VOLUME in m ³	PRICE from	in CZK/€
VVL-Compact 1,0 – 1,3	1800 - 2200	1,0 – 1,3	149.000,-/	5.890
VVL-Compact 1,5 – 2,0	1500 - 2200	1,5 – 2,0	198.000,-/	7.825
VVL-Compact 2,1 – 3,0	2100 - 2800	2,1 – 3,0	217.000,-/	8.580
VVL-H 2.5 – 3.0	2200 - 3000	2,5 – 3,0	255.000,-/	10.080
VVL-H 3.1 – 4.0	2200 - 3000	3,1 – 4,0	263.000,-/	10.390
VVL-H 4.1 – 4.5	2600 - 3000	4,1 – 4,5	280.000,-/	11.070
VVL-H 4.6 – 5.5	2750 - 3000	4,6 – 5,5	290.000,-/	11.460

Volume over 5.5 m³ can be provided on request. Max. volume up to 14.0 m³.

The price is understood with quick-release hinges, basic welded edge HB400.

**The price is understood with quick-release hinges, basic welded edge HB400.
Hinges directly on pins + 1.100 €**

Additional equipment of the cutting edge – double-sided bevel:

+ blade HB500 (150 x 20 mm) **280 €**
+ blade HB500 (200 x 20 mm) **320 €**
+ blade HB500 (250 x 25 mm) **555 €**
+ blade HB500 (300 x 30 mm) **710 €**
+ blade HB500 (350 x 40 mm) **790 €**

+ screw hardox.feet **160 €**



AGRIOLA s.r.o., Polešovice 236, pošta Polešovice, 687 37, DIČ: CZ29306833 IČ: 29306833

Tel. +420 725 447 667, +420 606 237 020 Email: agriola@agriola.cz

www.agriola.cz

AGRIOLA s.r.o.

Sale and service of agricultural machinery

Product Name: **HIGH- Tipping showel**
Designed for front wheel loaders, backhoe loaders

TYPE STANDARD (in the middle mounted hydraulic motors)

TYPE – designation	WIDTH in mm	VOLUME in m ³	PRICE in €
VVL-S 3,1 – 4,0	2200 - 3000	3,1 – 4,0	10.350
VVL-S 4,1 – 4,7	2600 - 3000	4,1 – 4,7	11.030
VVL-S 4,8 – 5,5	2600 - 3200	4,8 – 5,5	11.580

Volume over 5.5 m3 can be provided on request. Possibility of production up to 12 m3.

The price is understood with quick-release hinges, basic welded edge HB400.

**The price is understood with quick-release hinges, basic welded edge HB400.
Hinges directly on pins + 1.100 €**

Additional equipment of the cutting edge – double-sided bevel:

+ blade HB500 (150 x 20 mm)	280 €
+ blade HB500 (200 x 20 mm)	320 €
+ blade HB500 (250 x 25 mm)	555 €
+ blade HB500 (300 x 30 mm)	710 €
+ blade HB500 (350 x 40 mm)	790 €

+ screw hardox.feet **160 €**



AGRIOLA s.r.o.

Sale and service of agricultural machinery

Product Name: **HIGH- Tipping showel**
Designed for front wheel loaders, backhoe loaders

TYPE LIGHT (mounting of hydraulic motors in the floor)

TYPE – designation	WIDTH in mm	VOLUME in m ³	PRICE in €
VVL-L 1.0 – 1.4	1500 - 2200	1,0 – 1,4	6.285
VVL-L 2.1 – 3.0	2000 - 2600	2,2 – 3,0	8.300
VVL-L 3.1 – 4.0	2200 - 2800	3,1 – 4,0	10.235
VVL-L 4.1 – 5.0	2600 - 3000	4,1 – 5,0	10.630

The price is understood with quick-release hinges, basic welded edge HB400.

**The price is understood with quick-release hinges, basic welded edge HB400.
Hinges directly on pins + 1.100 €**

Additional equipment of the cutting edge – double-sided bevel:

+ blade HB500 (150 x 20 mm)	280 €
+ blade HB500 (200 x 20 mm)	320 €
+ blade HB500 (250 x 25 mm)	555 €
+ blade HB500 (300 x 30 mm)	710 €
+ blade HB500 (350 x 40 mm)	790 €
+ screw hardox.feet	160 €



AGRIOLA s.r.o.

Sale and service of agricultural machinery

Product Name: **Silage share with hydraulic sides designed for front wheel loaders and tractors**

Recommended carrier weight: front loader from 12 t - 25 t

Type	WIDTH in mm	HEIGHT in mm	VOLUME m ³	PRICE in CZK/€
RH 4000	4000	1250	-----	10.120
RH 4200	4200	1250	-----	10.430
RHI. 4500	4500	1250	-----	10.950
RHII. 5000	5000	1250	-----	11.070
RHIII. 5500	5500	1250	-----	11.225



Product Name: **Silage share FIXED with spikes designed for front wheel loaders and tractors**

Recommended carrier weight: front loader from 12 t - 25 t

Type	WIDTH in mm	HEIGHT in mm	VOLUME m ³	PRICE in €
RPI. 2500	2500	1250	-----	3.045
RPII. 3000	3000	1250	-----	6.800
RPIII. 4000	4000	1250	-----	7.750



AGRIOLA s.r.o., Polešovice 236, pošta Polešovice, 687 37, DIČ: CZ29306833 IČ: 29306833
Tel. +420 725 447 667, +420 606 237 020 Email: agriola@agriola.cz
www.agriola.cz

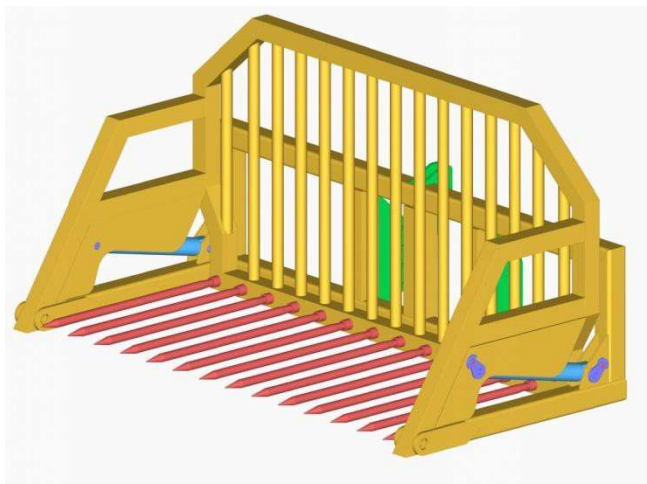
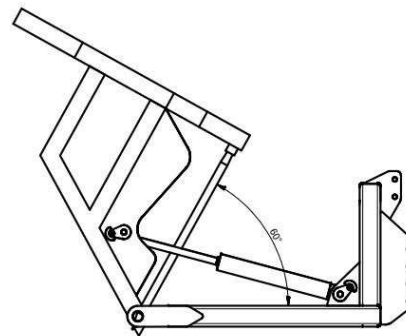
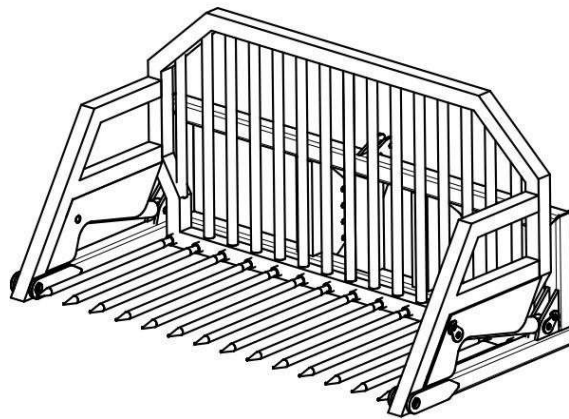
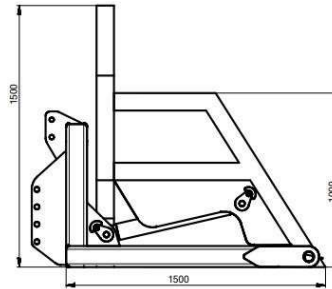
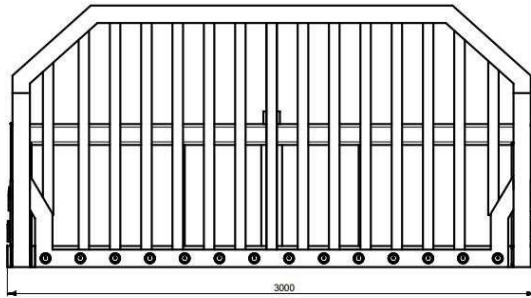
AGRIOLA s.r.o.

Sale and service of agricultural machinery

Product Name: Silage share tiltable with spikes designed for front tractor arms

Recommended carrier weight: front tractor three-point hitch

Type	WIDTH in mm	HEIGHT in mm	VOLUME m ³	PRICE in €
RV – T	3000	1500	1250	8.500



AGRIOLA s.r.o., Polešovice 236, pošta Polešovice, 687 37, DIČ: CZ29306833 IČ: 29306833
Tel. +420 725 447 667, +420 606 237 020 Email: agriola@agriola.cz
www.agriola.cz

AGRIOLA s.r.o.

Sale and service of agricultural machinery

Product Name: **Silage share FIXED – without spikes** designed for front wheel loaders, tractors

Recommended carrier weight: front loader from 12 t - 25 t, tractors over 100 HP

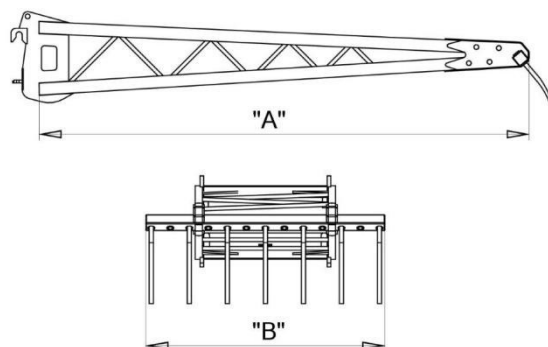
Type		WIDTH in mm	HEIGHT in mm	VOLUME m ³	PRICE in €
RS I.	3000	3000	1850	-----	3.520
RS II.	4000	4000	1850	-----	4.070



Product Name: **Silage screaper** designed for front wheel loaders, telescopic manipulators

Recommended carrier weight: front loader from 6 t - 25 t, telescope manipulators from 3 tons of load capacity

Type		(B) WIDTH in mm	(A) LENGTH in mm	VOLUME in m ³	PRICE in €
S I.	2000	2000	4000	-----	2.410
S II.	2700	2700	5000	-----	3.440

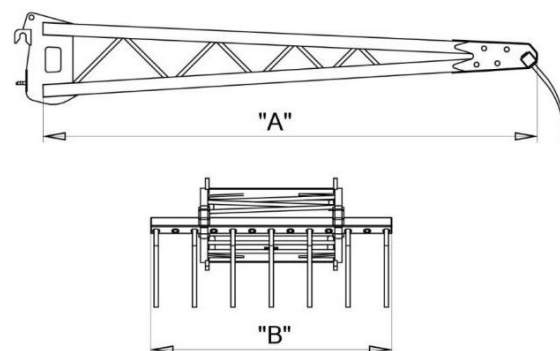


Product Name: Silage Cutter – with hydraulic forehead

Designed for front wheel loaders

Recommended carrier weight: front loader from 14 t - 25 t

Type	(B) WIDTH in mm	(A) LENGTH in mm	VOLUME m ³	PRICE in €
SPH I.	3000	2800	-----	6.600
SPH II.	4000	3000	-----	7.190



Technical description

- Changeable / screw-on cutting edges
- Weight from 950 kg
- Quick-release hinges according to the type of loader
- Hydraulic circuit terminated by hydraulic protective valve



AGRIOLA s.r.o.

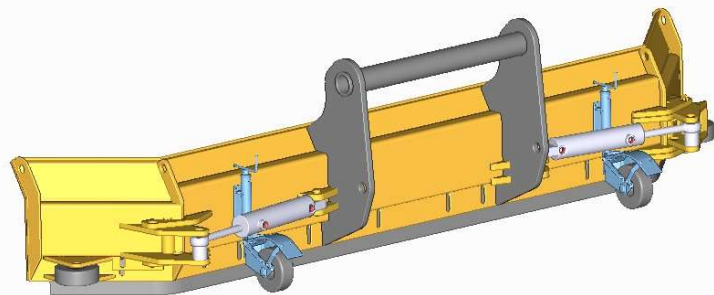
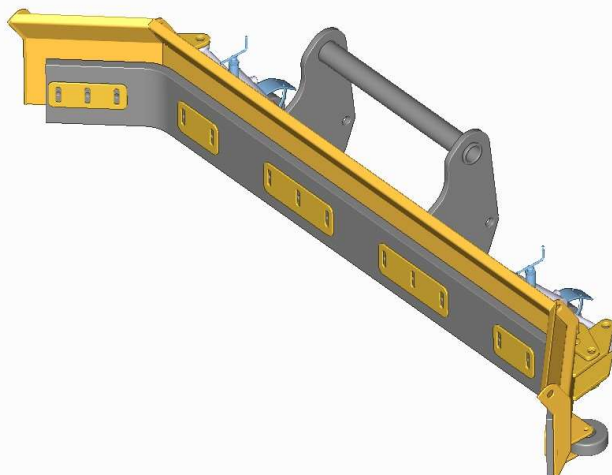
Sale and service of agricultural machinery

Product Name: **Agro share with hydraulic turning of the sides designed for telescopic manipulators, front wheel loaders, tractors**

It is designed for cleaning manure from paved areas, etc.

Technical description

- We offer cutting edges:
 - rubber lip
 - Hardox cutting edge
- The share is made of quality (St523, etc.)
- We use Hardox HB400 or rubber for our cutting edges.
- Possibility of side guide wheels and lower drive wheels.
- The mounting on the share is adapted according to the specific type of machine.



Type	WIDTH in mm	HEIGHT in mm	PRICE in €
RH-S I	2400 - 2800	650	3.200
RH-S II	2900 - 3200	650	3.360

The price is understood with quick-release hinges, rubber screwed cutting edge, Prices of other offered accessories will be communicated according to specific requirements.



AGRIOLA s.r.o.

Sale and service of agricultural machinery

Product name: **Sticker with hydraulic holder and extendable front** **Designed for front wheel loaders**

Recommended carrier weight: front loader from 16 t - 25 t

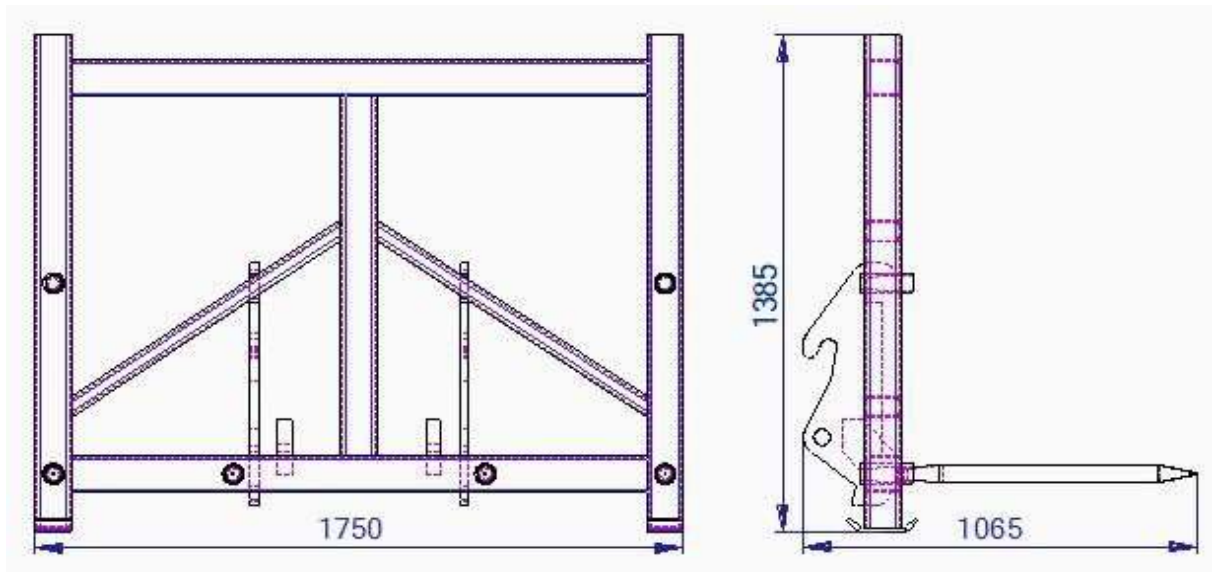
Type		LENGTH in mm	HEIGHT in mm	WIDTH in mm	PRICE in €
SSH1.	5500	5500	1400	3000	13.640
SSH1L.	6000	6000	1950	3000	14.620



Product Name: **AGRO SHIELD WITH SPIKES - SOLID** designed for front wheel loaders and telehandlers

Recommended carrier weight: telehandlers, front loader approx. 4-12 t

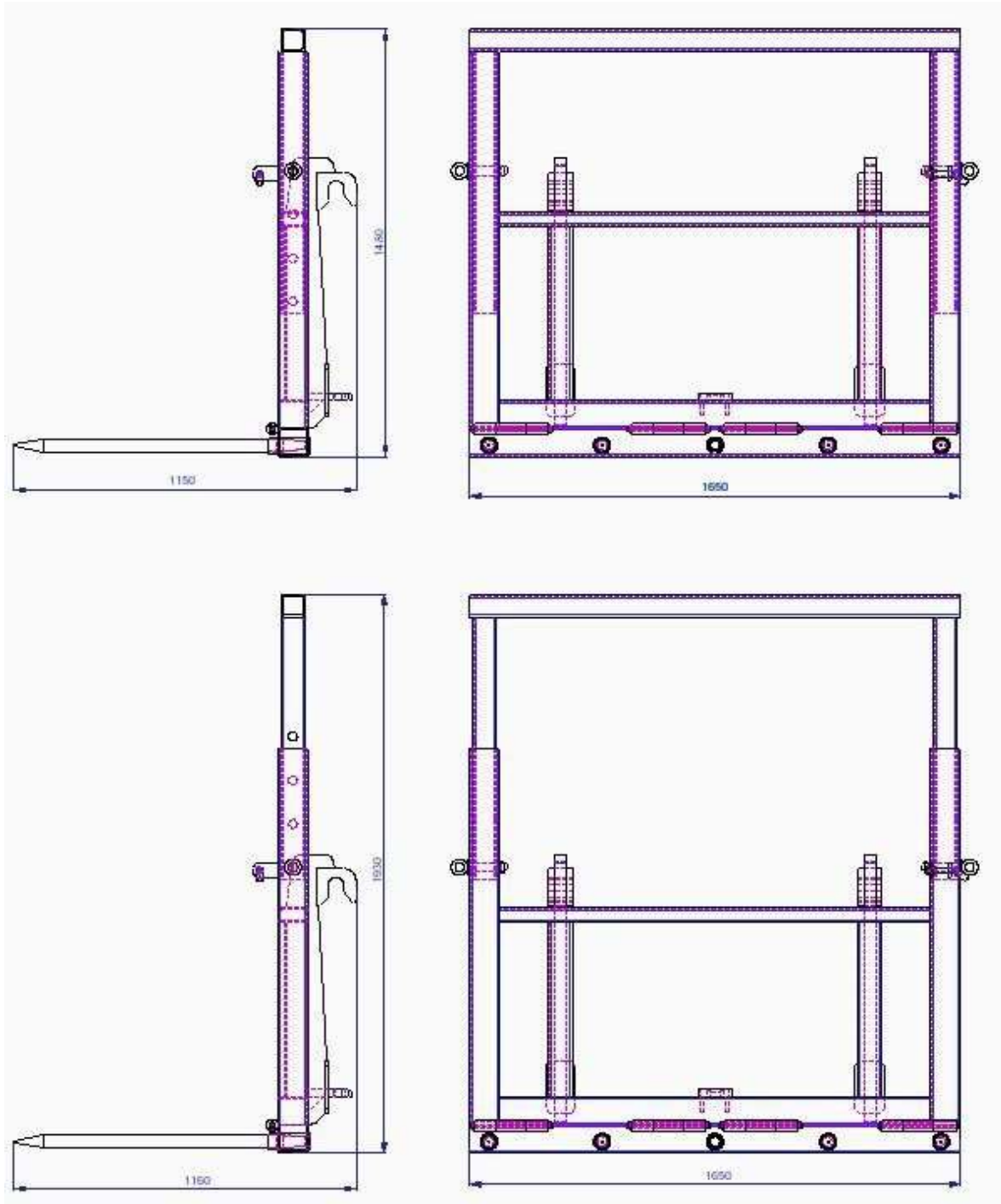
Type – markings	WIDTH in mm	HEIGHT in mm	PRICE in €
AS I	1600 - 1900	1385	1.420



Product Name: AGRO SHIELD FOLDING / RETRACTABLE designed for front wheel loaders and telehandlers

Recommended carrier weight : telehandlers, front loader approx. 4-12 t

Type – markings	WIDTH in mm	HEIGHT in mm	PRICE in €
AS II	1600 - 1900	1400-2000	1.620



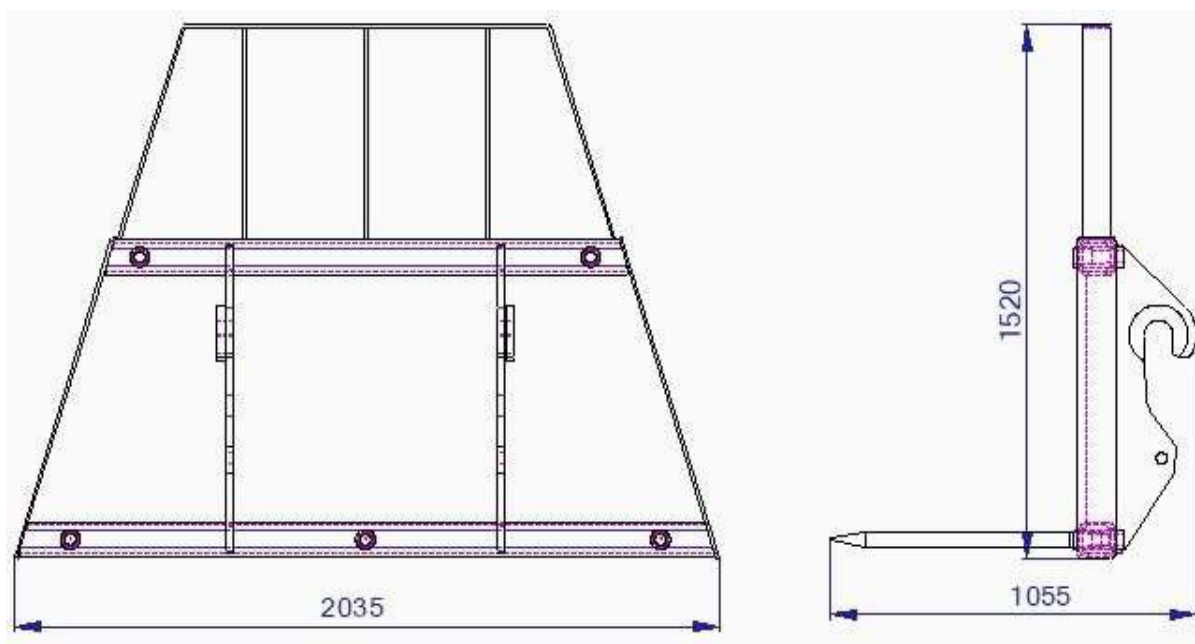
AGRIOLA s.r.o.

Sale and service of agricultural machinery

Product name: **AGRO SHIELD with raised bar**
designed for front wheel loaders and telehandlers

Recommended carrier weight: telehandlers, front loader approx. 4-12 t

Type – markings	WIDTH in mm	HEIGHT in mm	PRICE in €
AS III	1800 - 2200	1050 + 450	1.225

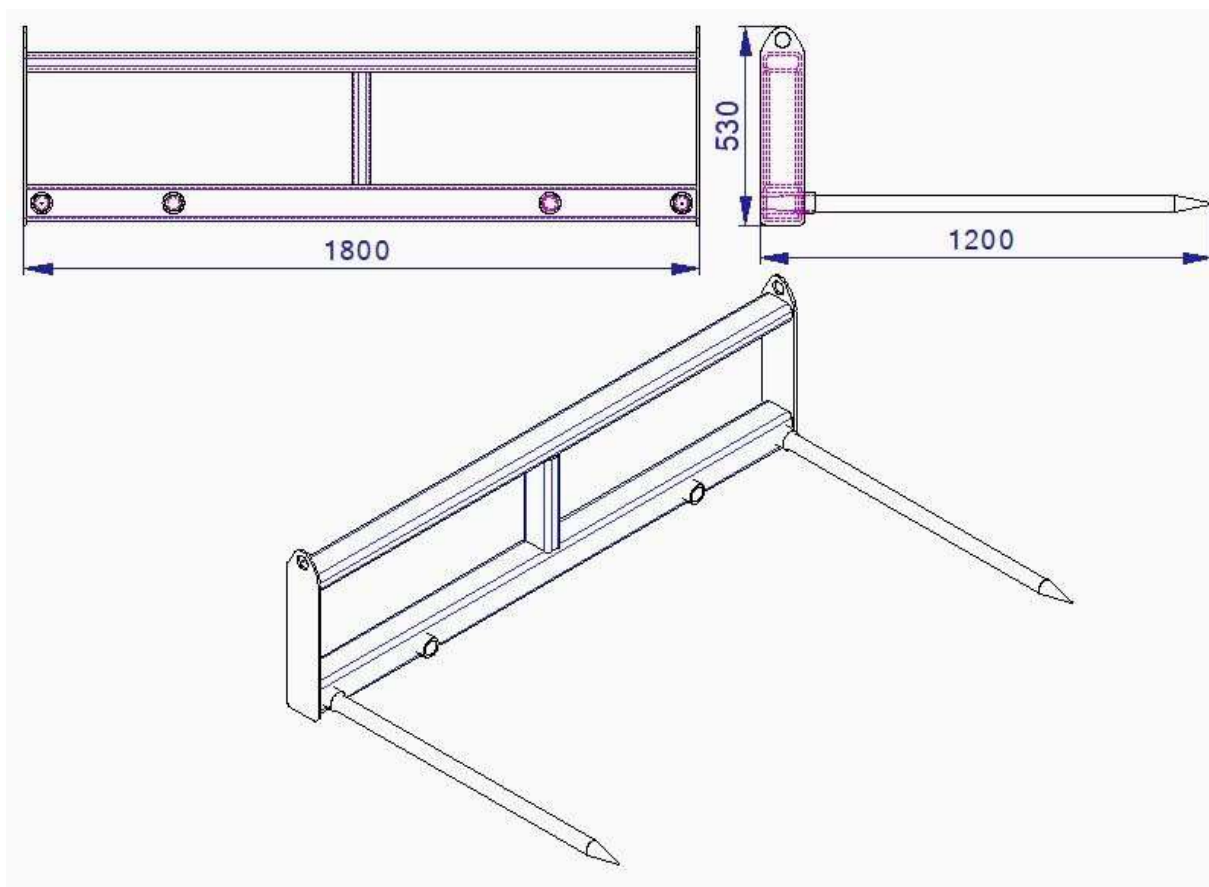


AGRIOLA s.r.o., Polešovice 236, pošta Polešovice, 687 37, DIČ: CZ29306833 IČ: 29306833
Tel. +420 725 447 667, +420 606 237 020 Email: agriola@agriola.cz
www.agriola.cz

Product Name : **AGRO SHIELD – REDUCED** designed for front loaders and telehandlers

Recommended carrier weight: telehandlers, skid steer loaders, front loader approx. 4-12 t

TYPE – designation	WIDTH in mm	HEIGHT in mm	PRICE in €
AS – IV	1500	550-850	830



Option 1: a self-supporting frame with two prongs in the lower load-bearing profile. The frame is equipped with quick-release hinges according to the type of machine



AGRIOLA s.r.o.

Sale and service of agricultural machinery

Product name: **AGRO tongs with hydraulic spikes for round bales designed for front loaders and telehandlers**

Recommended carrier weight: telehandlers, skid steer loaders, front loader approx. 4-12 t

TYPE – designation	WIDTH in mm	HEIGHT in mm	PRICE in €
AK – H	2130	1600	3.870

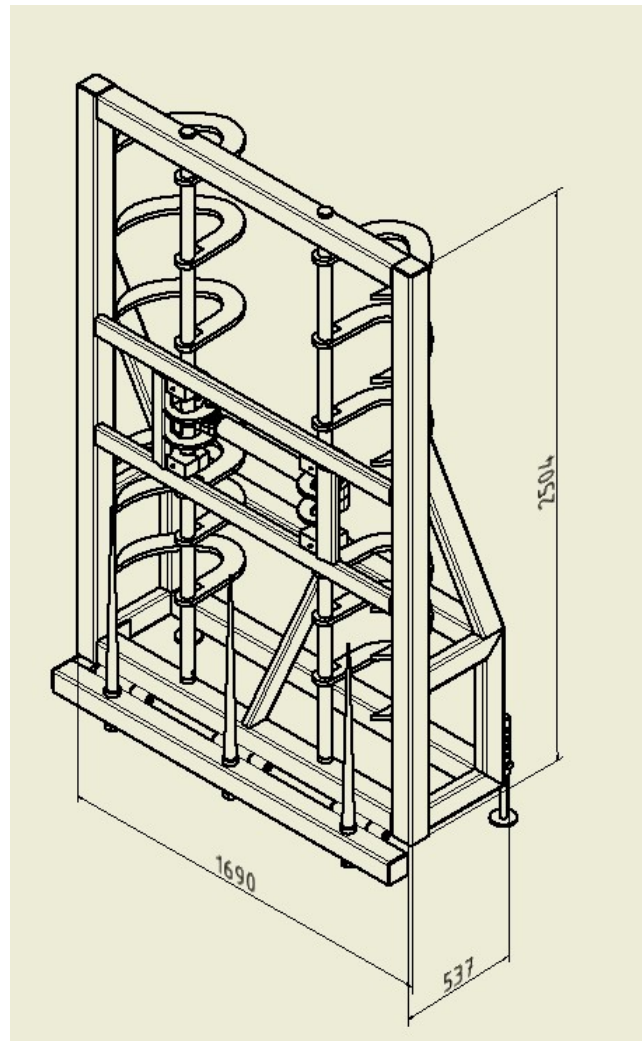


AGRIOLA s.r.o., Polešovice 236, pošta Polešovice, 687 37, DIČ: CZ29306833 IČ: 29306833
Tel. +420 725 447 667, +420 606 237 020 Email: agriola@agriola.cz
www.agriola.cz

Product Name: **AGRO SHIELD with hydraulic spikes and hinged shield for square bales designed for front loaders and telehandlers**

Recommended carrier weight: telescopic manipulators, front loader approx. 4-12 t

TYPE – designation	WIDTH in mm	HEIGHT in mm	PRICE in €
AS H	1690	2500	6.285



AGRIOLA s.r.o.

Sale and service of agricultural machinery

Product Name: **STACKING SHIELD WITH HYDR. Forehead** designed for front wheel loaders and telehandlers

Recommended carrier weight : telehandlers , front loader approx. 5-12 t

TYPE – designation	WIDTH in mm	HEIGHT in mm	PRICE in €
SH I	3000	1500	4.860
SH II	3500	1500	5.095
SH III	3800	1500	5.810



AGRIOLA s.r.o., Polešovice 236, pošta Polešovice, 687 37, DIČ: CZ29306833 IČ: 29306833
Tel. +420 725 447 667, +420 606 237 020 Email: agriola@agriola.cz
www.agriola.cz

AGRIOLA s.r.o.

Sale and service of agricultural machinery

Product Name: **BALE tongs** designed for front loaders and telehandlers

Recommended carrier weight: telehandlers, skid steer loaders, front loader approx. 4-12 t

TYPE – designation	WIDTH in mm	PRICE in €
AK-1800	1800 mm	1.900
Unigrip, Flexigrip	1800-2000 mm	3.755



AGRIOLA s.r.o., Polešovice 236, pošta Polešovice, 687 37, DIČ: CZ29306833 IČ: 29306833
Tel. +420 725 447 667, +420 606 237 020 Email: agriola@agriola.cz
www.agriola.cz

AGRIOLA s.r.o.

Sale and service of agricultural machinery

Product name: **Crane arm for big bags** designed for front loaders and telehandlers

Recommended carrier weight: telehandlers, skid steer loaders, front loader approx. 4-12 t

TYPE – designation	LENGTH in mm	Tonnage	PRICE in €
JR-2000	2000 mm	1000+700 kg	2.015
JR-2500	2500 mm	1000+500 kg	2.170



Product name: **BIG-BAG carrier** designed for front loaders and telehandlers

Recommended carrier weight: telehandlers, front loader

TYPE – designation	Lenght total / work in mm	Tonnage	PRICE in €
NBB-1600	1600 / 1350 mm	1000+1000 kg	1.225



AGRIOLA s.r.o., Polešovice 236, pošta Polešovice, 687 37, DIČ: CZ29306833 IČ: 29306833
Tel. +420 725 447 667, +420 606 237 020 Email: agriola@agriola.cz
www.agriola.cz

Handling equipment

Product Name: PALLET forks - industrial

Designed for front wheel loaders, telescopic manipulators, backhoe loaders

Handling technology means palletizing forks, various additional special accessories in the ISO FEM II-IV design

Palletizing equipment

- Palletizing plate in the ISO II-IV type series in various widths and load capacities
- Forks in lengths 1200-2400 mm or with the possibility of supplying extensions

TYPE – designation	PLATE WIDTH in mm	Load capacity in kg	PRICE in €
FEM II (tractor)	1200 - 1250	2,0	1.105
FEM II	1200 – 1250	2,5 - 3,0	1.740
FEM III	1200 - 1300	3,5 – 4,0	2.015
FEM III	1250 - 1400	4,1 – 5,0	2.250
FEM IV	1250 - 1500	6,5	2.920

The price is understood with quick-release hinges. Prices of other dimensions/load capacities or other accessories will be communicated according to a specific requirement.



Product Name: **PALLET forks – industrial multi-purpose designed for front wheel loaders, telescopic manipulators, backhoe loaders**

Industrial pallet forks – multi-purpose are supplied with already integrated bushings at the bottom of the pallet plate. Pallet board can be fitted with various special accessories v provedení ISO FEM II a FEM III.

Pallet equipments

- Palletizing plate in the ISO II-III type series in various widths and load capacities
- Forks in lengths 1200-2400 mm or with the possibility of supplying extensions
- Overlay conical bushings – standard 4 pieces, tips M28x1.5 length 810 mm (tips in the length of 1000 mm can also be supplied)

TYPE – designation	PLATE WIDTH in mm	Load capacity in kg	PRICE in €
FEM II -V	1200 – 1250	2,5 - 3,0	2.095
FEM III-V	1200 - 1300	3,5 – 4,0	2.330
FEM III -V	1250 - 1400	4,1 – 5,0	2.490

The price is understood with quick-release hinges. Prices of other dimensions/load capacities or other accessories will be communicated according to a specific requirement.



Product Name: **PALLET fork – load bar**

Designed for front wheel loaders, telescopic manipulators, backhoe loaders

Pallet forks with a bearing bar can also be supplied including a palletizing plate in various widths and load capacities according to the type of carrier – loader.

Pallet equipments with load bar

- Palletizing board with freely stored bar and with the possibly delivery of extensions
- Forks in lengths 1200-2400 mm or with the possibility of supplying extensions

TYPE – designation	PLATE WIDTH in mm	Load capacity in kg	PRICE in €
Vidle AII	1250 – 1450	2,5 - 3,0	2.015
Vidle AIII	1250 - 1500	3,5 – 4,0	2.135

The price is understood with quick-release hinges. Prices of other dimensions/load capacities or other accessories will be communicated according to a specific requirement.



AGRIOLA s.r.o.

Sale and service of agricultural machinery

Product name: Crane hook

- Easy mounting on pallet forks
- Hook with safety lock
- Load capacity 2 – 4 t



Pallet rotary plate

- Pallet plate in the ISO II–IV type series in various widths and load capacities
- Rotation continuous 360°



Pallet clamping shoes

- Clamp shoes in the ISO II–IV series in various widths and load capacities
- Different opening ranges, lengths and shoes shapes



Product name: **SILAGE CUTTER REDROCK**

designed for front wheel loaders and telehandlers

The silage cutter is designed for precise cutting of compacted forage (silage, haystack). Precise cutting prevents so-called secondary fermentation.

For all sizes of loaders, telehandlers.

Technical description

- Cutter silage in various widths from 1350 – 1800 mm.
- Straight sides equipped with cutting edges.
- Easy replacement of wear parts (spikes, cutting edges)
- The mounting is adapted according to the specific type of loader.



TYPE – designation	WIDTH Block in mm	Volume in m ³	PRICE in €
Alligator 140-85	1400	0,95	6.720
Alligator 160-85	1600	1,10	6.955
Alligator 180-85	1800	1,25	7.190
Alligator 200-85	2000	1,40	7.865
Alligator 220-85	2200	1,55	9.370

Accessories:

Insert for bulk materials

€ 595

Quick hitches for stirrups

€ 515

Quick-hangers overlay

€ 315

TYPE – designation	WIDTH Block in mm	Volume in m ³	PRICE in €
Telegator 180-100	1800	1,50	8.695
Telegator 200-100	2000	1,75	9.090



Product Name : Handing work basket– gravatational PK2

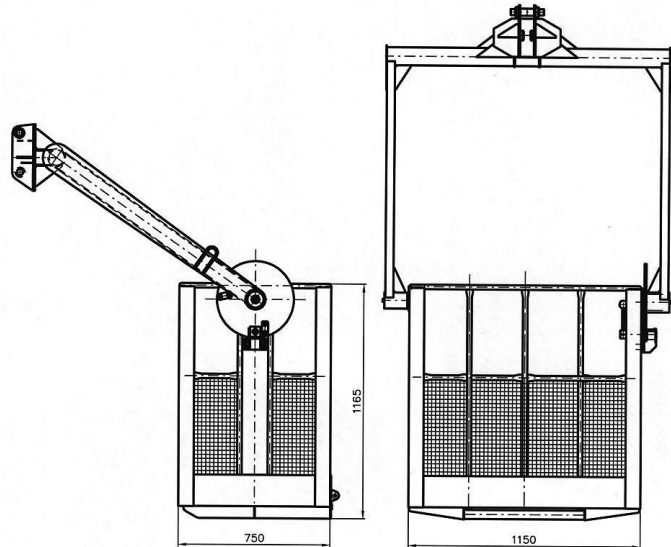
Is a purpose-built accessory designed for work at heights if other technical conditions are met
designed for telescopic manipulators, mobile cranes

Technical description

- Load capacity 250 kg
- Intended for two people
- Basket weight 250 kg

The hanging working cage allows you to perform work at heights according to the reach of the supporting lifting device used. The load capacity of the basket is 250 kg and is designed for a maximum of two people. The working cage is fixed to the lifting device by means of a crane hook, or

by means of an extension which is designed for each lifting device. A basket hinge with a basket is attached to the extension by means of two pins. The basket is fixed in the basket hinge rotatingly on two pins, the floor of the basket is stabilized spontaneously by its weight. To prevent the basket from swaying while working, a manually operated brake is used.



TYPE – designation	WIDTH in mm	Tonnage	PRICE in €
PK2 – G	1150	250	3.830



AGRIOLA s.r.o.

Sale and service of agricultural machinery

Product Name: Sweepers – front with hydraulic drive

is a purpose-built accessory designed for cleaning roads, paved areas, etc.
designed for telescopic manipulators, loaders, tractors, etc.

Technical description

- Width 1250, 1550, 1850, 2300, 2700 mm
- Sweeper PPN, PPN/Steel
- Brush diameter 530, 700 mm
- Trees: hydromotor, kardan

Other equipment: Sprinkler box 200 L, hydraulic-tilting sweeping box, side sweeping disc, support wheels, snow scraper, etc.



AGRIOLA s.r.o.

Sale and service of agricultural machinery

Product Name: **THE FOREST AND COMMUNAL CUTTERS**

is a purpose-built accessory designed to remove residues from logging, or for the treatment of paths.

Carrier: wheel loaders, excavators and tractors UR II.

Technical description

- The spikes of the cutter are made of high-strength materials
- It crushes stumps, also asphalt, gravel surfaces
- Performance Increase – Cleaning Speed After Mining
- Possibility of choosing of front or rear connection
- Milling depth according to type up to 250 mm
- Crushed pieces of wood mass are incorporated into the top layer of soil
- Modular modules according to specific needs



THE FORREST

- Crushing and removal of mining residues
- Restoration and maintenance of roads
- Preparation of a flower bed in forest nurseries
- Installation of fire belts
- Removal of undergrowth

PUBLIC ADMINISTRATION

- Landscaping of landscape and gardens
- Crushing ice on the road
- Restoration and maintenance of roads
- Creation and maintenance of downhill and cross-country trails
- Disturbance of asphalt surfaces

AGRICULTURE

- Disposal of old fruit crops
- Preparation of flower beds in crop and horticultural production
- Maintenance of farm roads
- Recapitulation of fallow soil



AGRIOLA s.r.o.

Sale and service of agricultural machinery

Rolled edges HB 400, HB 500 – one-sided bevel

Cutting edge (width, thickness, length)	Hardness (HB)	Price (EUR)
150 x 16 x 3000	400	146,-
150 x 16 x 3000	500	178,-
150 x 20 x 3000	400	168,-
150 x 20 x 3000	500	204,-
200 x 20 x 3000	400	232,-
200 x 20 x 3000	500	288,-
200 x 25 x 3000	400	300,-
200 x 25 x 3000	500	340,-
250 x 25 x 3000	400	360,-
250 x 25 x 3000	500	364,-
300 x 30 x 3000	400	528,-
300 x 30 x 3000	500	536,-

Prices do not include VAT, FCA. As a rule, the blades are supplied in a length of 3000 mm. At the customer's request, we can adjust the cutting edges to the required length. In this case, a surcharge of 10% of the list price per unit of length is charged. Cutting the

cutting edge into several parts: EUR 9,-/ cut

Agriola s.r.o.

CEO: Olga Svobodová
Phone: +420 725 447 667
e-mail agriola@agriola.cz

Warehouse manager: Ondřej Svoboda
Phone: +420 728 311 667
e-mail svoboda@agriola.cz

Administration: Adéla Kubičiková
Phone: +420 606 237 020
e-mail administrativa@agriola.cz

Technician: Radek Pospíšilík
Servisní středisko v Kostelci u Holešova
Phone: +420 737 477 654
e-mail radek.pospisilik.1@email.cz

Technician: Karel Váhala
Servisní středisko Pustějov
Phone: +420 733 128 761
e-mail karel.vahala@seznam.cz

